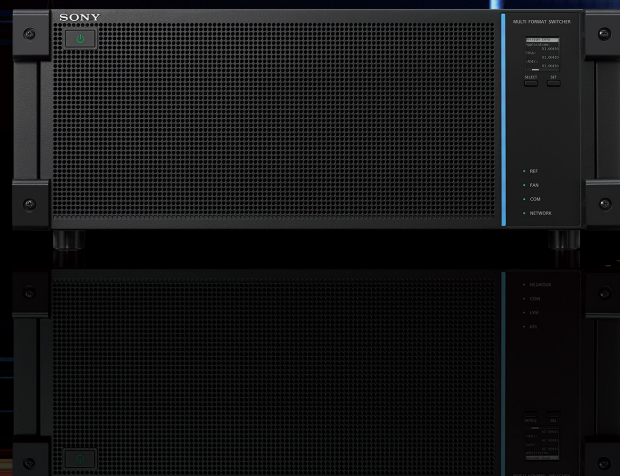


SONY



Powerful, Compact and Beyond

XVS-G1
MULTI FORMAT SWITCHER

4K

SR Live
for HDR

HDR

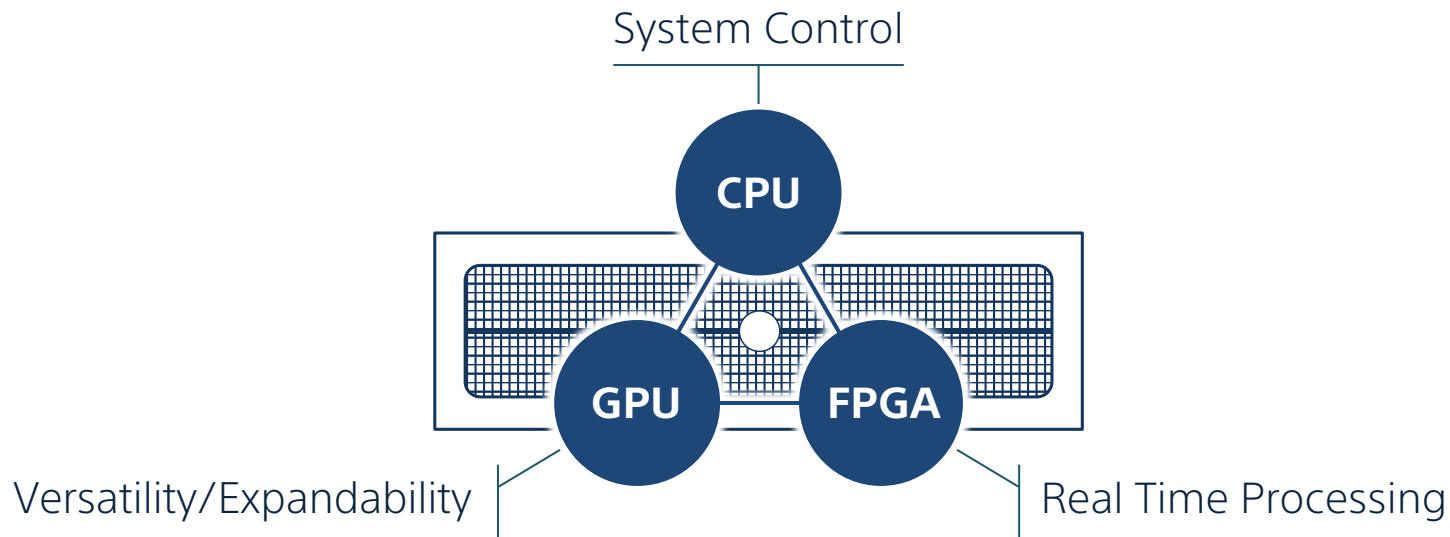
■ A new entry-level member of the XVS family

Sony is proud to introduce the latest member of the XVS family of production switchers. The XVS-G1 inherits many of the well-established features and architecture from the current models and adds cutting-edge technology for a range of visual processing enhancements. The all-new 4RU processor is combined with a range of four stylish new control panels plus a newly developed web-based operational menu for efficient and simple installations. The XVS-G1 builds on the success of the MVS-3000A and MVS-6530 switchers, bringing full HD and 4K(UHD) capacity at an affordable price. Configurable from 1 to 4 M/E banks, the XVS-G1 offers 16 full-feature keyers with up to 48 inputs, 24 outputs in HD mode, or 24 in, 12 out in 4K(UHD). These features make it the perfect choice for the small to mid-size studio, fly-away packs, faith-based community, universities, corporations and OB production units.

■ The next-generation platform in Live Production Switchers

The XVS-G1 introduces a hybrid architecture which augments the well-proven video processing structure of the XVS series with an optional GPU-based effects and graphics module. Its configuration retains a central processing unit (CPU) and field-programmable gate array (FPGA), whilst adding an optional graphics processing unit (GPU), ensuring high performance and flexibility with visual processing enhancements while maintaining high reliability and stable operation.

High-speed processing, enabled by the hardware at 4K(UHD) resolution, and High Dynamic Range (HDR) imaging, means virtually no compromises in performance and speed for real-time processing and ultra-low latency. High-density, high-resolution video processing using the latest software technology provides versatility and upgradability. The XVS-G1 system offers an affordable and flexible solution to meet the creative needs of today's live productions.



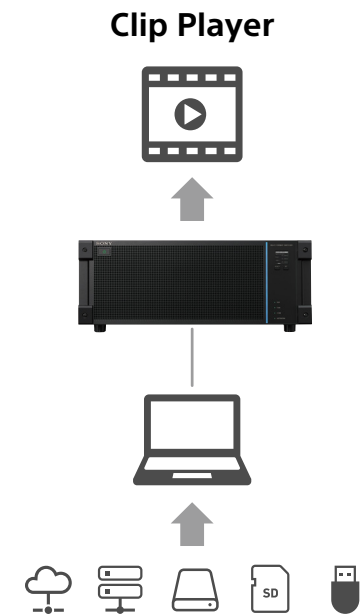
A high-potential platform for maximum creativity realized by the optional GPU and modular software structure

The XVS-G1 offers new creative features including a built-in clip player, 3D digital multi-effects, extra still logo keys, and new multi-viewer functionality. HDR is also supported with Sony's SR Live workflow and multiple HDR format conversion options.

16 keys are provided, each with its own 2.5D resizer. These full-function keys can be deployed in various configurations across 1 to 4 M/E banks. An additional dedicated Clip Transition key is also available on each M/E. The optional GPU pack provides a file-based clip player, integrated for the first time in a Sony live production switcher. There are four channels in HD mode and two channels in 4K(UHD) mode. Multiple clips can be stored and replayed, each with a maximum duration, for both HD and 4K(UHD) content, of up to 60 minutes. Widely available AVC codec files in MOV or MP4 container formats are supported.

Media files are easily and instantly loaded into the internal SSD storage directly from any network-connected device via a web browser. The user-friendly style of the clip player and switcher minimises preparation and setup time, simplifying live operation.

Other functions provided by the GPU include 4 channels of full 3D digital multi-effects in HD mode or 2 channels in 4K(UHD), and four still logo keys.

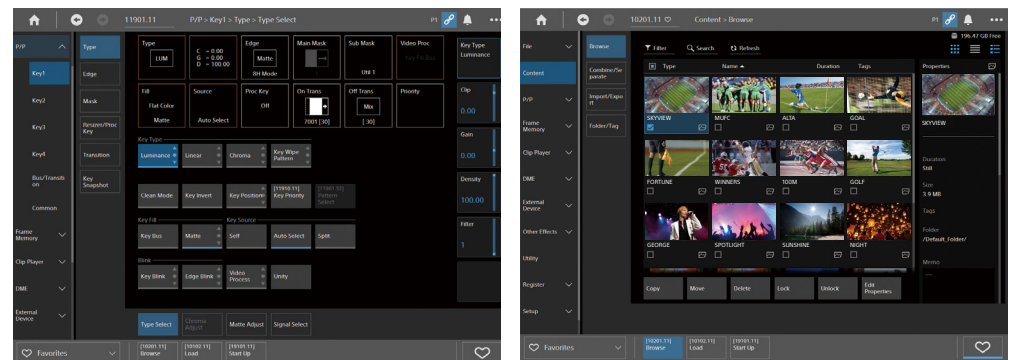


New web-based menu perfectly suited to News, Sports and Entertainment program production

The user menu is based on a newly designed web application. This allows flexible wired or wireless operation via any connected PC, laptop or tablet. An enhanced menu system builds on the familiar structure of the existing XVS series, whilst new menus allow easy access to innovative features such as the GPU clip player and additional logo keys. Multiple menu pages can be viewed simultaneously. The web application provides efficient and speedy menu navigation including future remote operation.

Menu system features

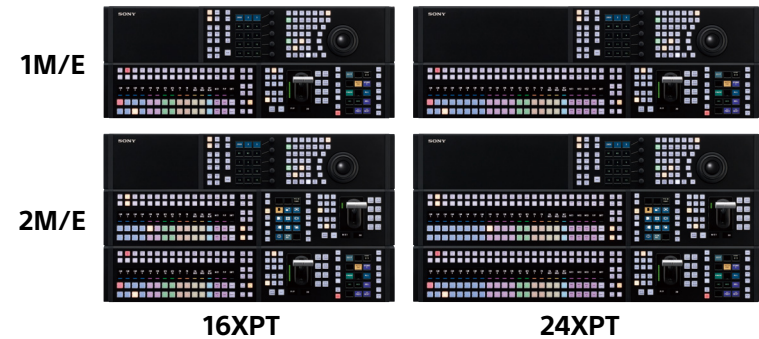
- Web application based user-friendly menu design
- Cable-free menu operation possible by any web-based device via Wi-Fi
- Up to 16 web browsers connected simultaneously for multi-menu, multi access setup or remote operation.
- Panel button status accurately reflected on menu display
- Fewer menu layers for rapid access to desired item
- Intuitive menu tree structure and graphical display
- Touch Pad operation for parameter adjustment
- Dedicated Aux bus control



New intuitive design menu

New dedicated control panels retain Sony's popular operator features

A range of four new control panels offers 1 M/E or 2 M/E configurations with 16 or 24 source button layouts. Derived from Sony's renowned ICP-X7000 Series, they all ensure compact, easy and reliable operation. The panels inherit many familiar features of Sony's XVS high-end switchers, including excellent on-air status display, unsurpassed button feel, and dependable speed in mission-critical live production.

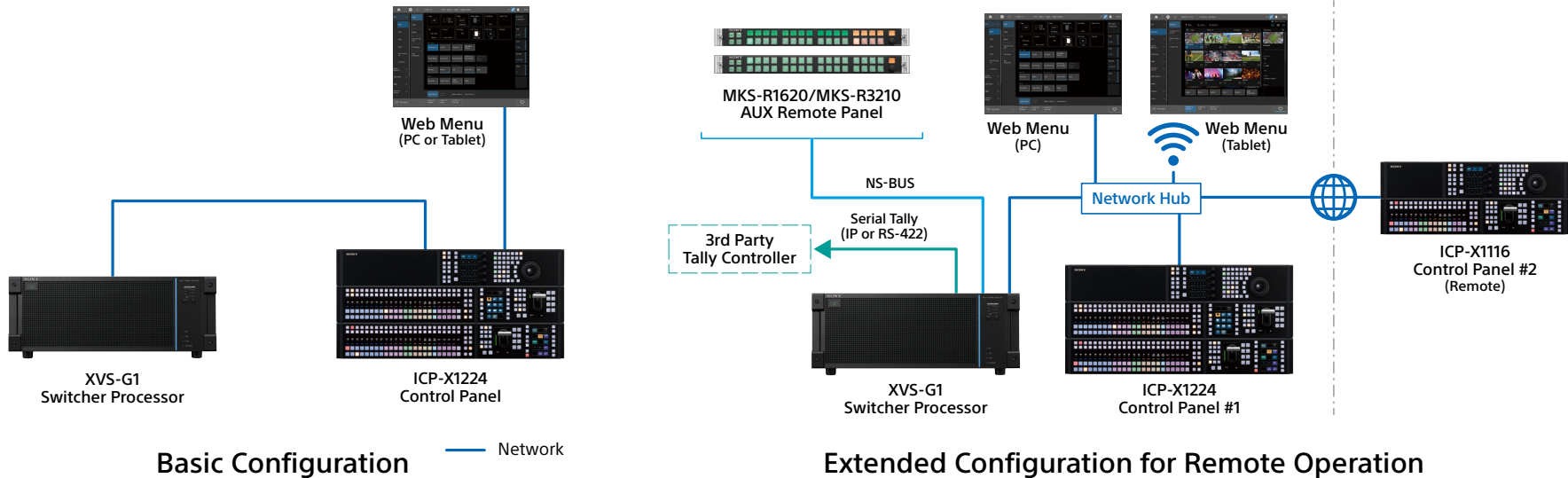


Robust and reliable integration

The XVS-G1 switcher embodies Sony's XVS Series DNA of reliability, robustness, and durability, in a new compact processing unit that's easy to install, setup and operate. System expandability including third-party new and legacy tally systems, studio automation control, and remote distance production between the processor and the control panel over the IP network are also supported, to meet your requirements from a simple switcher configuration to a large-scale integrated live production system.

Remote operation

The XVS-G1 system is capable of supporting network routing function to enable multiple LAN/WAN network connectivity. This allows the remote operation capabilities by connecting the processor and the panel over Layer 3 network. The control panel can be located at a remote site away from the processor to support remote production over the long distance.



Control Panel Button Layout



① Utility & ShotBox Block

- 15 colour LCD buttons with 20 assignable buttons
- UTIL/SB mode : Utility/ShotBox recall
- Menu mode : Menu parameter adjustment with rotary knobs

② Device Control Block

- Easy-to-use trackball for fine adjustment, plus direct access buttons.
- Resizer / DME adjustment (Size, Position, Rotation, etc.)
- DDR / VTR control (Play, Stop, Jog / Shuttle, etc.)

③ Transition Block

- Next Transition Block with assignable buttons enables extremely flexible operation
- OLED displays for M/E name or Transition Rate.
- 8 Key Transition buttons for 4 Keys (AUTO+CUT) or 8 Keys (AUTO).

④ Crosspoint Block

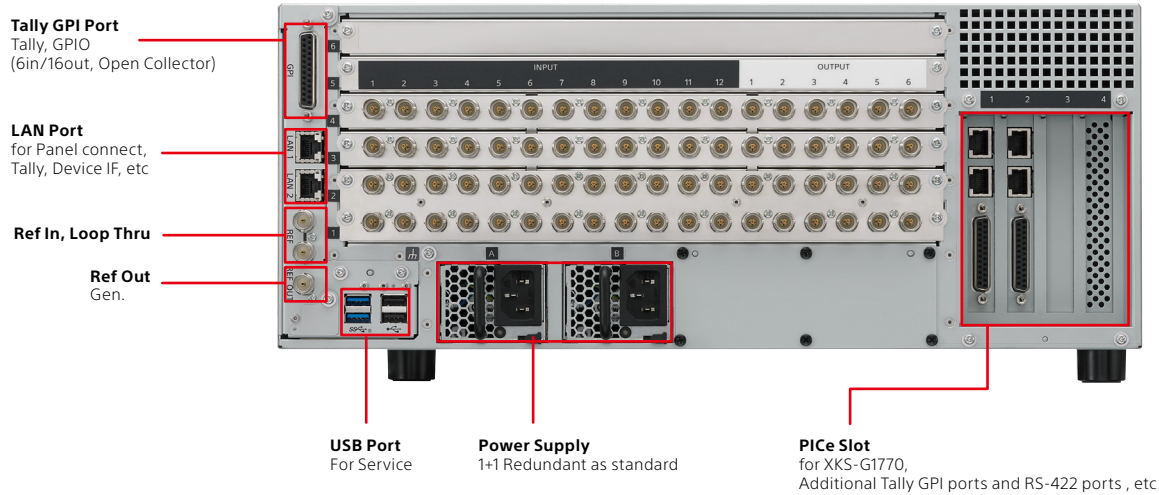
- OLED Source Name display (up to 12 characters)
- Tri-Color buttons with selectable coloring for easy grouping of sources
- Assignable Delegation buttons (Key 1-8, AUX1-16, Utility / ShotBox, Macro)
- Both Key Bus mode and Key Delegation mode are supported

⑤ FlexiPad Block

- The Flexi Pad is used for creating and recalling memorized functions for easy operation.
- Macro / ShotBox direct execution, Macro editing
 - Snapshot / Wipe Snapshot / DME-Wipe Snapshot recall

Powerful features in a single compact processor unit

Up to 4M/E, 48 inputs and 24 outputs in HD/1080p mode or 2M/E, 24 inputs and 12 outputs in 4K(UHD) mode can be configured by adding optional I/O boards. Multiple signal source formats in SD, HD (1080i/720p/1080p) or 4K(UHD) are supported by 1.5G, 3G and 12G video connections.



	HD/1080p	4K(UHD)
Input	24, 36, 48 * ¹	24
Output	12, 18, 24 * ¹	12
ME	2, 3, 4 * ²	1, 2 * ²
Keyer with 2.5D Resizer * ³	16	4
Format Converter	IN : 24, OUT : 12	IN : 12, OUT : 6
HDRC* ⁴ /CCR	IN : 12	IN : 6
Frame Sync	All inputs	
Frame Memory	16 ch	6 ch
Multi Viewer	2	1 x 4K or 1 x HD
GPU Functions (Optional)* ⁵	Clip Player, 3D Nonlinear DME, SL Key	

*1 24 IN / 12 OUT as starter. Additional 12 IN / 6 OUT board is an option.

*2 Starting with 2 M/E in HD/1080p or 1 M/E in 4K(UHD). Each M/E can be doubled by Split M/E or Multi Program 2 feature.

*3 SL Key as additional logo keyer is available as an option.

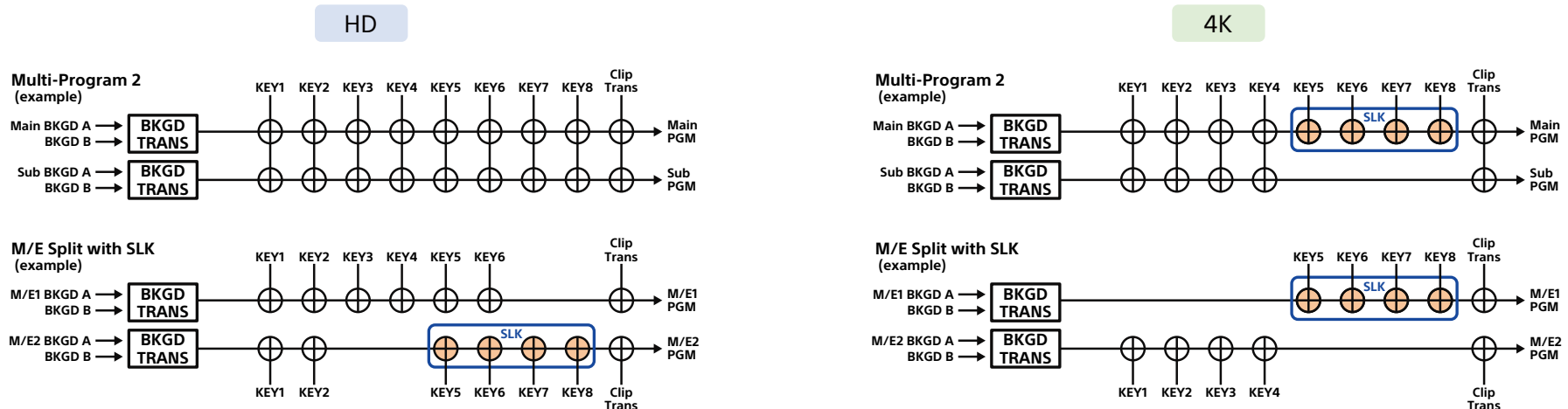
*4 HDR Converter is an option.

*5 Some features will require version up.

XVS series engine gives unsurpassed reliability and performance

M/E

8 M/E outputs are assignable in standard mode, and split M/E or Multi Program-2 mode is supported both in 4K and HD mode.



Keyers and Resizers

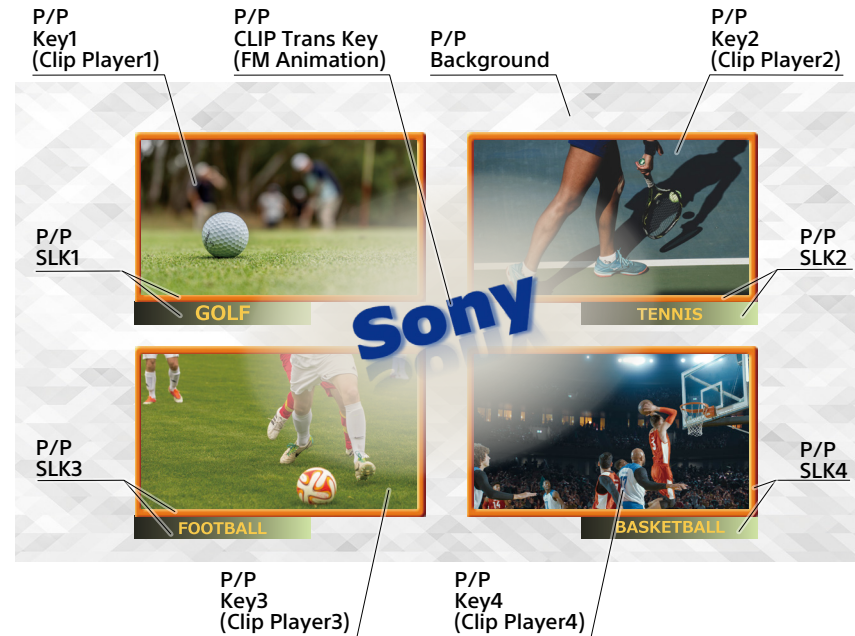
Full XVS quality signal processing with 16 full-function keyers (chroma, linear, luminance, borders etc.). Each keyer has its own inbuilt 2.5D resizer with X/Y rotation, allowing 16 Picture-in-Picture effects with perspective.



M/E1 OUT (HD) example

Frame Memory

Enhanced Frame Memory with stills, clips or audio files. 32 GB memory for frame rate recall, with high-speed SSD for backup/restore. New dedicated Clip Transition bus allows an extra transition layer without consuming any keyer resources.



P/P OUT (HD) example

Multi Viewer

Two independent HD multi viewers are standard, one 4K(UHD) multi viewer is supported in 4K(UHD) format. 4, 10, 13 and 16-way splits, Source Names and Tally indicators are supported. In addition, with the GPU option installed then a clock and audio level meters are also available in the multi viewer.

Others

Macro, Snapshot, and Keyframe Effect allow speedy memory store and recall in creative live operation



New design multi-viewer

Specifications

XVS-G1

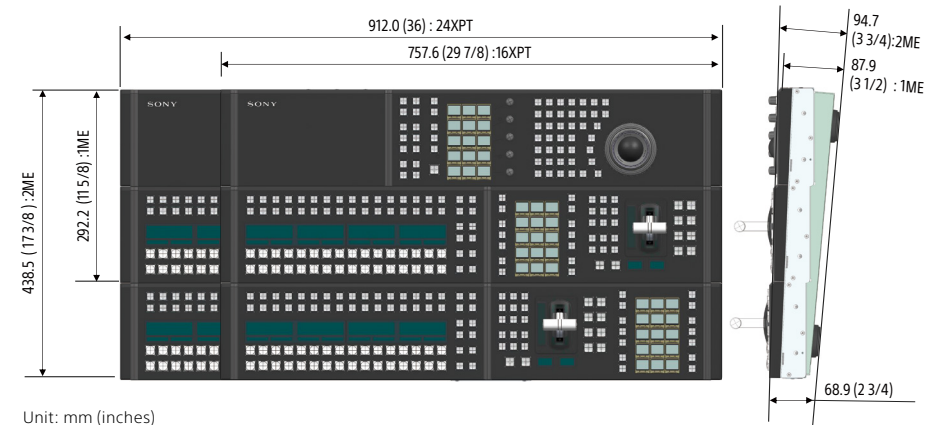
General	
Power requirement	AC 100 V to 127 V, 50/60Hz AC 200 V to 240 V, 50/60Hz
Power consumption	100 V to 127 V : 7 A to 5.5 A 200 V to 240 V : 3.4 A to 2.8 A (when equipped with all installable option boards)
Operating temperature	5 °C to 40 °C (41 °F to 104 °F)
Storage temperature	- 20 °C to 60 °C (- 4 °F to 140 °F)
Operating humidity	10 % to 90 %
Dimensions (W x H x D)	440 x 176 x 583 mm (17 ³ / ₈ x 7 x 23 inches)
Mass	Approx. 21 kg (46 lb 5 oz) (when equipped with all installable option boards)
Video inputs/outputs	
Inputs (Max) (BNC)	48 for primary inputs (when equipped with all installable option boards, XKS-G1110)
Outputs (Max) (BNC)	24 for outputs (when equipped with all installable option boards, XKS-G1110)
Signal format	SMPTE 259M-C, 292M, 424M, ST425-1, ST 2082-1
Signal Processing	4 : 2 : 2 digital component
Quantization	12G/3G/HD/SD-SDI : 10-bit
Reference	
Reference input	BNC (x2), 75 Ω with loop-through output HD tri-level sync or Analog black burst
Reference output	BNC (x1), 75 Ω output HD tri-level sync or Analog black burst
Control	
LAN 1	RJ-45 (x1), 1000BASE-T
LAN 2	RJ-45 (x1), 1000BASE-T
GPI	D-sub 25-pin (x1), open collector outputs 16 ch, 3.3V TTL input 6ch
USB	USB 2.0 (x2), USB 3.0 (x2) for maintenance only
TALLY/GPI	D-sub 25-pin (x1), open collector outputs 16 ch, 3.3V TTL input 6ch
Optional	
TALLY/GPI, RS-422 (XKS-G1700)	D-sub 25-pin (x2), open collector outputs 32 ch, 3.3V TTL input 12ch RJ-45 (x4) for RS-422 (x8) via break out cables
System Format	
4K	3840x2160/59.94P, 3840x2160/50P, 3840x2160/29.97P*1, 3840x2160/25P*1, 3840x2160/24P*1, 3840x2160/23.98P*1
HD	1080/59.94P, 1080/50P, 1080/29.97PsF*1, 1080/25PsF*1, 1080/24PsF*1, 1080/23.98PsF*1, 1080/59.94i, 1080/50i, 720/59.94P*1, 720/50P*1

*1 Version up required.

ICP-X Panel

General		
Power requirement	ICP-X1224/X1216/X1124/X1116	DC IN-A/B : DC 19.5 V
Power consumption	ICP-X1224	DC 2.1 A
	ICP-X1216	DC 1.7 A
	ICP-X1124	DC 1.6 A
	ICP-X1116	DC 1.3 A
Operating temperature	ICP-X1224/X1216/X1124/X1116	5 °C to 40 °C (41 °F to 104 °F)
Dimensions (W x H x D)	ICP-X1224	912.0 mm x 438.5 mm x 94.7 mm (36 x 17 3/8 x 3 3/4 inches)
	ICP-X1216	757.6 mm x 438.5 mm x 94.7 mm (29 7/8 x 17 3/8 x 3 3/4 inches)
	ICP-X1124	912.0 mm x 292.2 mm x 87.9 mm (36 x 11 5/8 x 3 1/2 inches)
	ICP-X1116	757.6 mm x 292.2 mm x 87.9 mm (29 7/8 x 11 5/8 x 3 1/2 inches)
Mass	ICP-X1224	Approx. 15.0 kg (33 lb 1 oz)
	ICP-X1216	Approx. 13.5 kg (29 lb 12 oz)
	ICP-X1124	Approx. 9.5 kg (20 lb 15 oz)
	ICP-X1116	Approx. 9.0 kg (19 lb 13 oz)
Control		
LAN-A1	ICP-X1224/X1216/X1124/X1116	RJ-45 (x1), 1000BASE-T
LAN-A2	ICP-X1224/X1216/X1124/X1116	RJ-45 (x1), 1000BASE-T
LAN-B	ICP-X1224/X1216/X1124/X1116	RJ-45 (x1), 1000BASE-T

Dimension



Optional

- XKS-G1110 Additional I/O Board
- XKS-G1700 Legacy Interface Option
- XKS-G1600 GPU Pack
- XZS-G1610 3D DME License
- XZS-G1620 SL Key License
- XZS-G1800 Clip Player License
- XZS-G1500 4K Upgrade License
- XZS-G1750 HDR Converter License
- XZS-G1770 Automation IF License
- RMM-1100 Rack Mount Kit
- ICP-X1116 1 M/E 16 button Compact Control Panel
- ICP-X1124 1 M/E 24 button Compact Control Panel
- ICP-X1216 2 M/E 16 button Compact Control Panel
- ICP-X1224 2 M/E 24 button Compact Control Panel